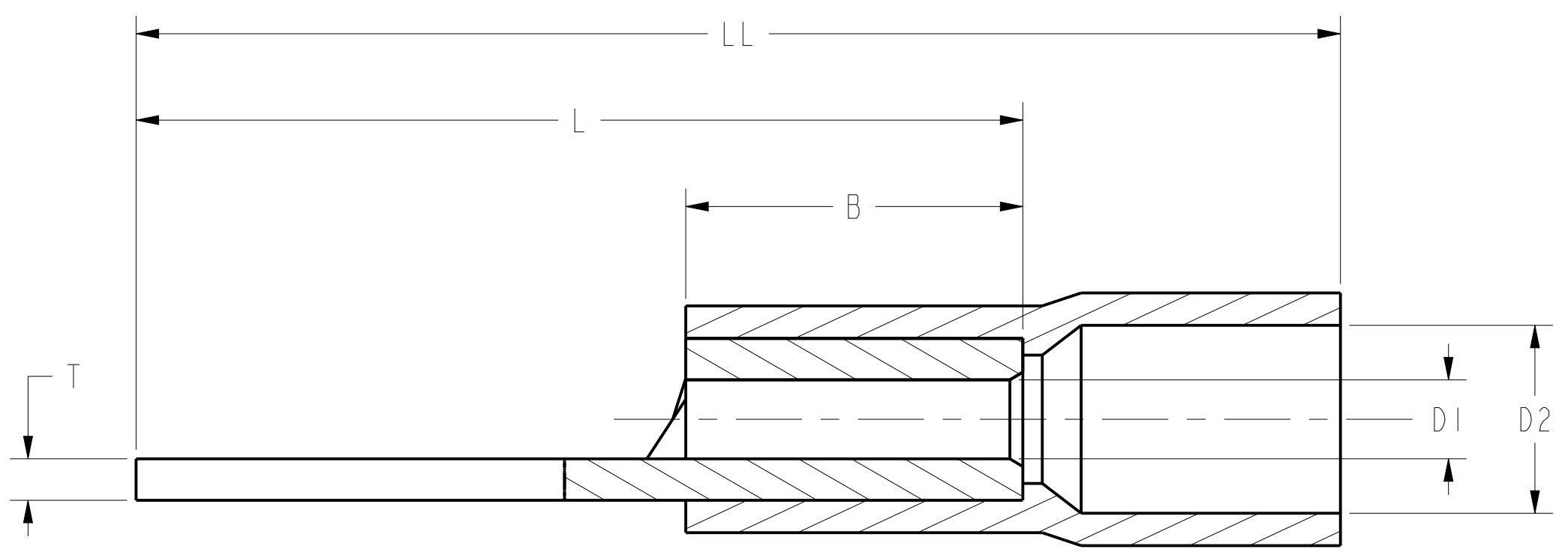
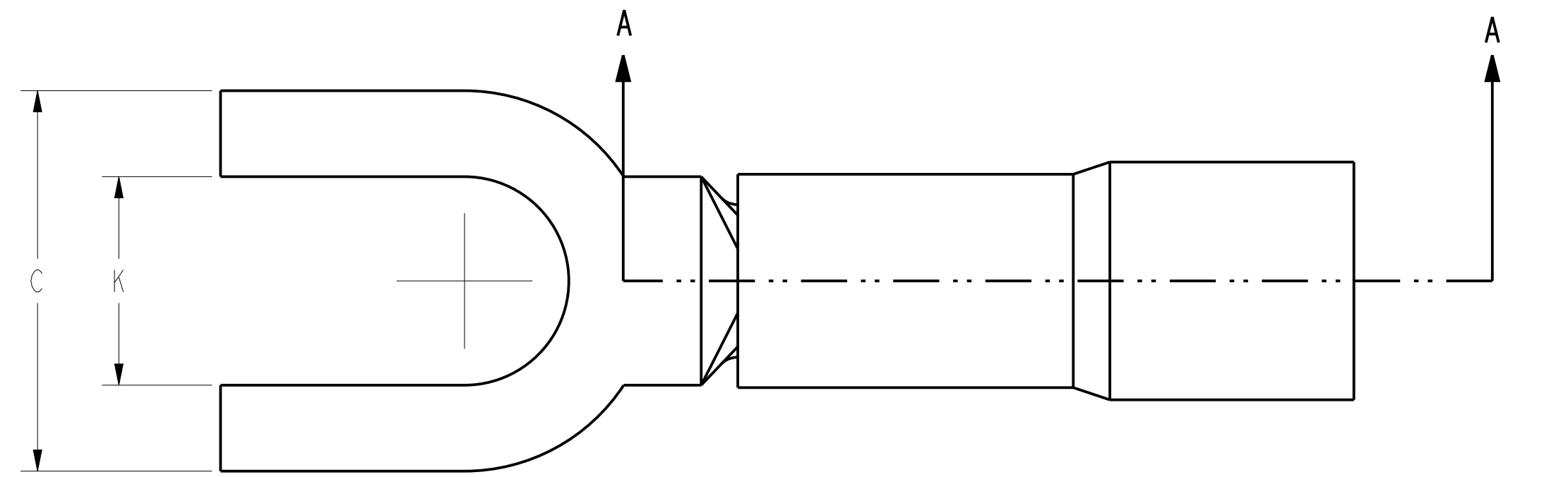


COLOUR CODE	CONDUCTOR SIZE (AWG)	D1 MAXIMUM WIRE DIAMETER	MAXIMUM STUD SIZE		CATALOG NUMBER			C (NOMINAL)	K (NOMINAL)	L +.000 -.030 [+0.00 -0.76]	LL +.000 -.050 [+0.00 -1.27]	T ±.005 [±0.13]	B +.000 -.030 [+0.00 -0.76]	D2 MAXIMUM INSULATION DIAMETER	STRIP LENGTH	INSTALLATION TOOL
			IMPERIAL	METRIC (mm)	BAG PACK	BOX PACK	BULK PACK									
RED	22-16	.061 [1.55]	#1-#2	2	-----	TPI82F	BBA18F2	.172 [4.37]	.093 [2.36]	.569 [14.45]	.814 [20.68]	.032 [0.81]	.260 [6.60]	.145 [3.68]	5/16 [7.9]	MR8891C MR8891I Y1022
			#3-#6	2.5-3.5	CR110	TPI86F	BBA18F6	.281 [7.14]	.145 [3.68]	.616 [15.65]	.861 [21.87]					
			#6-#8	4	CR111	TPI88F	BBA18F8	.312 [7.92]	.171 [4.34]	.684 [17.37]	.929 [23.60]					
			#8-#10	5	-----	TPI810F	BBA18F10	.359 [9.12]	.204 [5.18]	.742 [18.85]	.987 [25.07]					
			#12-1/4"	6-6.5	-----	TPI814F	BBA18F14	.470 [11.94]	.271 [6.88]	.900 [22.86]	1.145 [29.08]					
BLUE	16-14	.077 [1.96]	#1-#2	2	-----	TPI42F	BBA14F2	.172 [4.37]	.093 [2.36]	.569 [14.45]	.814 [20.68]	.032 [0.81]	.260 [6.60]	.185 [4.70]	5/16 [7.9]	MR8891C MR8891I Y1022
			#3-#6	2.5-3.5	CR112	TPI46F	BBA14F6	.281 [7.14]	.145 [3.68]	.616 [15.65]	.861 [21.87]					
			#6-#8	4	CR113	TPI48F	BBA14F8	.312 [7.92]	.171 [4.34]	.684 [17.37]	.929 [23.60]					
			#8-#10	5	CR114	TPI410F	BBA14F10	.359 [9.12]	.204 [5.18]	.742 [18.85]	.987 [25.07]					
			#12-1/4"	6-6.5	-----	TPI414F	BBA14F14	.470 [11.94]	.271 [6.88]	.900 [22.86]	1.145 [29.08]					
YELLOW	12-10	.124 [3.15]	#3-#6	2.5-3.5	-----	TPI06F	BBA10F6	.281 [7.14]	.145 [3.68]	.686 [17.42]	.961 [24.41]	.040 [1.02]	.340 [8.64]	.260 [6.60]	3/8 [9.5]	MR8891C MR8891I Y1022
			#6-#8	4	CR115	TPI08F	BBA10F8	.312 [7.92]	.171 [4.34]	.754 [19.15]	1.029 [26.14]					
			#8-#10	5	CR116	TPI010F	BBA10F10	.359 [9.12]	.204 [5.18]	.832 [21.13]	1.107 [28.12]					
			#12-1/4"	6-6.5	-----	TPI014F	BBA10F14	.470 [11.94]	.271 [6.88]	.985 [25.02]	1.260 [32.00]					

NO. OF DECIMAL PLACES		TOLERANCES UNLESS OTHERWISE SPECIFIED	
METRIC	INCH	METRIC	INCH
1	2	±.8	±.03
2	3	±.36	±.015
ANGLES		±.0° - 30'	



- NOTES:
- DIMENSIONS IN BRACKETS [ ] ARE IN MILLIMETERS ROUNDED OFF TO THE NEAREST MILLIMETER, UNLESS OTHERWISE NOTED AND ARE FOR REFERENCE ONLY.
  - PURE ELECTROLYTIC COPPER, TIN PLATED.
  - BRAZED SEAM, COMPLETE CIRCULAR BARREL.
  - ZONE ANNEALING OFFERS SOFT BARREL FOR EASY CRIMPING WITHOUT LOSING TEMPER OF PAD.
  - LISTED, FILE No. LR 38612.
  - LISTED, FILE No. E 68345

INSULATED BRAZED FORK TERMINAL			
ITEM NO:	---		
CAT. NO:	CR TPF BBAF		
DRAWN BY:	---		
CHECKER:	---		
DSN APPVL:	---		
MFG APPVL:	---		
QA APPVL:	---		
MKT APPVL:	---		
PROD FAM:	---		SCALE: 9:1
PROJECT #:	SIZE	DRAWING NO	REV
DOCUMENT TYPE: Sales	D	CSD032956-01	A
REL LEVEL: Released			

REV: PE0200